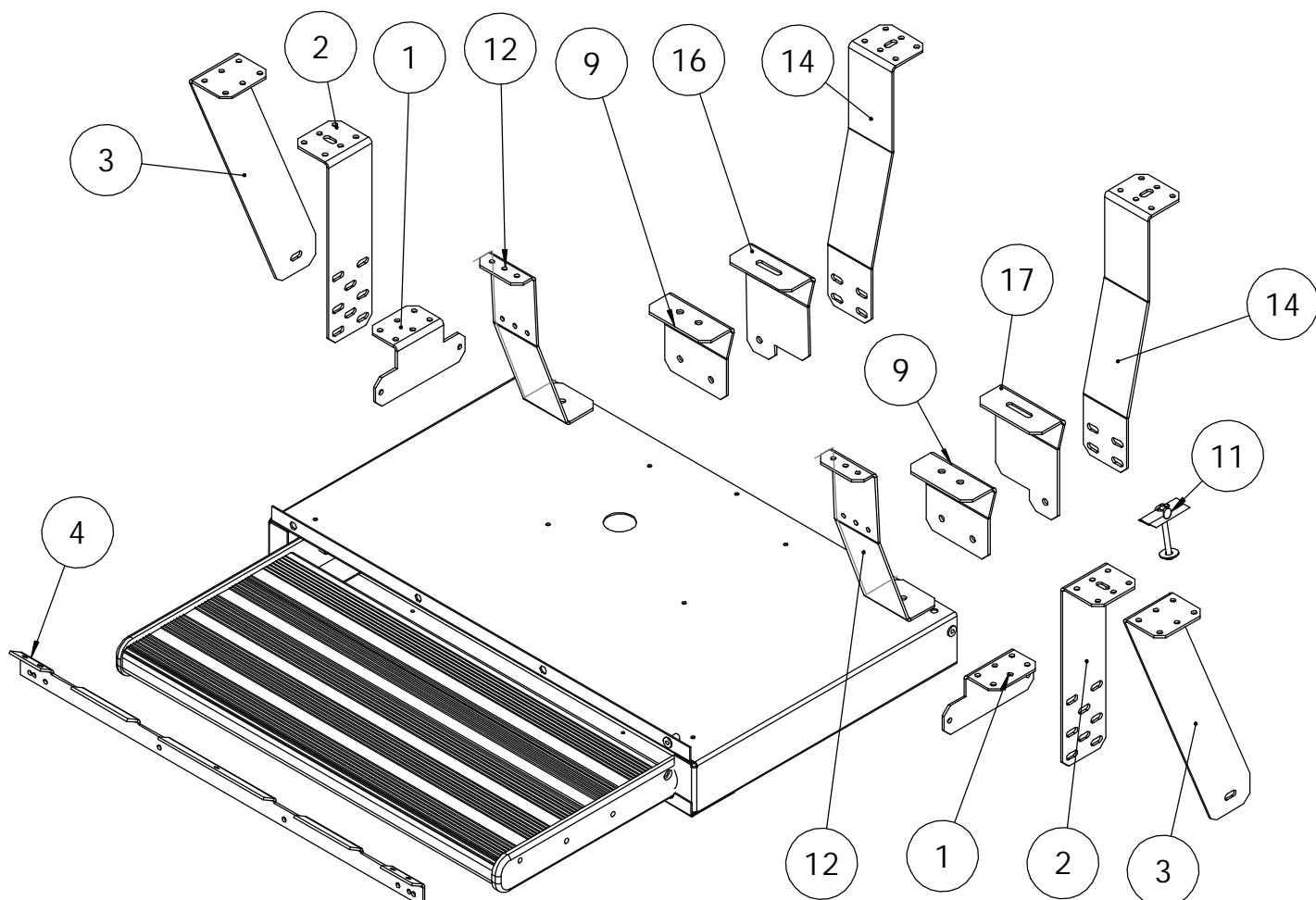


# STEP CONCEPT

## TARIF FIXATIONS 2013



| KITS FIXATION                             | TYPES     | TIR 450  | TIR 600  | TIR 900  | TIR 1100 | Repères    |
|---|-----------|----------|----------|----------|----------|------------|
| MASTER / MOVANO / INTERSTAR 97 au 04/2010 | L1/2/3    | 40267    | 40267    | 40267    | 40267    | 1          |
| MASTER / MOVANO / INTERSTAR > 04/2010     | L1/2/3/4  | 40261    | 40261    | 40261    | 40261    | 2          |
| TRAFIC/VIVARO/PRIMASTAR                   | L1        | 40269TIR | 40269TIR | X        | X        | 12         |
| TRAFIC/VIVARO/PRIMASTAR                   | L2        | 40269TIR | 40269TIR | 40269TIR | X        | 12         |
| EXPERT/JUMPY/SCUDO > 12/2006              | L1/2      | 40261    | 40261    | 40261    | X        | 2          |
| BOXER/JUMPER/DUCATO                       | L1        | 40261    | 40261    | X        | X        | 2          |
| BOXER/JUMPER/DUCATO                       | L2/3/4    | 40261    | 40261    | 40261    | 40261    | 2          |
| BOXER/JUMPER/DUCATO depuis 2012 EURO 5    | L1/2/3/4  | X        | X        | X        | X        | X          |
| MERCEDES SRINTER + Volksw agen LT         | L1/2/3    | X        | 40262    | 40263    | X        | 3+4        |
| MERCEDES SRINTER + VW CRAFTER > 2006      | L1/2/3    | 40268    | 40268    | 40268    | 40268    | 14         |
| MERCEDES VITO depuis 2005                 | L1/2/3    | X        | X        | 40261    | X        | 2          |
| FORD TRANSIT PROPULSION depuis 2000       | L1/L2/3/4 | 40264    |          |          | 40264    | 7+8+2x11   |
| FORD TRANSIT TRACTION depuis 2000         | L1        | 40266    | 40266    | X        | X        | 9+2x11     |
| FORD TRANSIT TRACTION depuis 2000         | L2/3/4    | 40266    | 40266    | 40266    | 40266    | 9+2x11     |
| FORD CUSTOM 2012                          | L1        | 40330    | 40330    | X        | X        | 16+17+2x11 |
| FORD CUSTOM 2012                          | L2        | 40330    | 40330    | 40330    | 40330    | 16+17+2x11 |